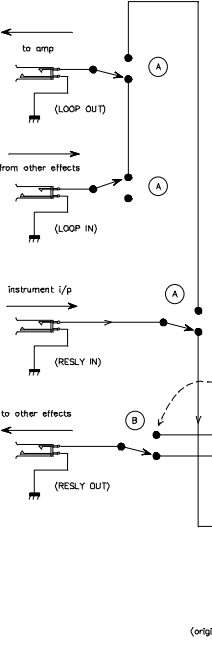
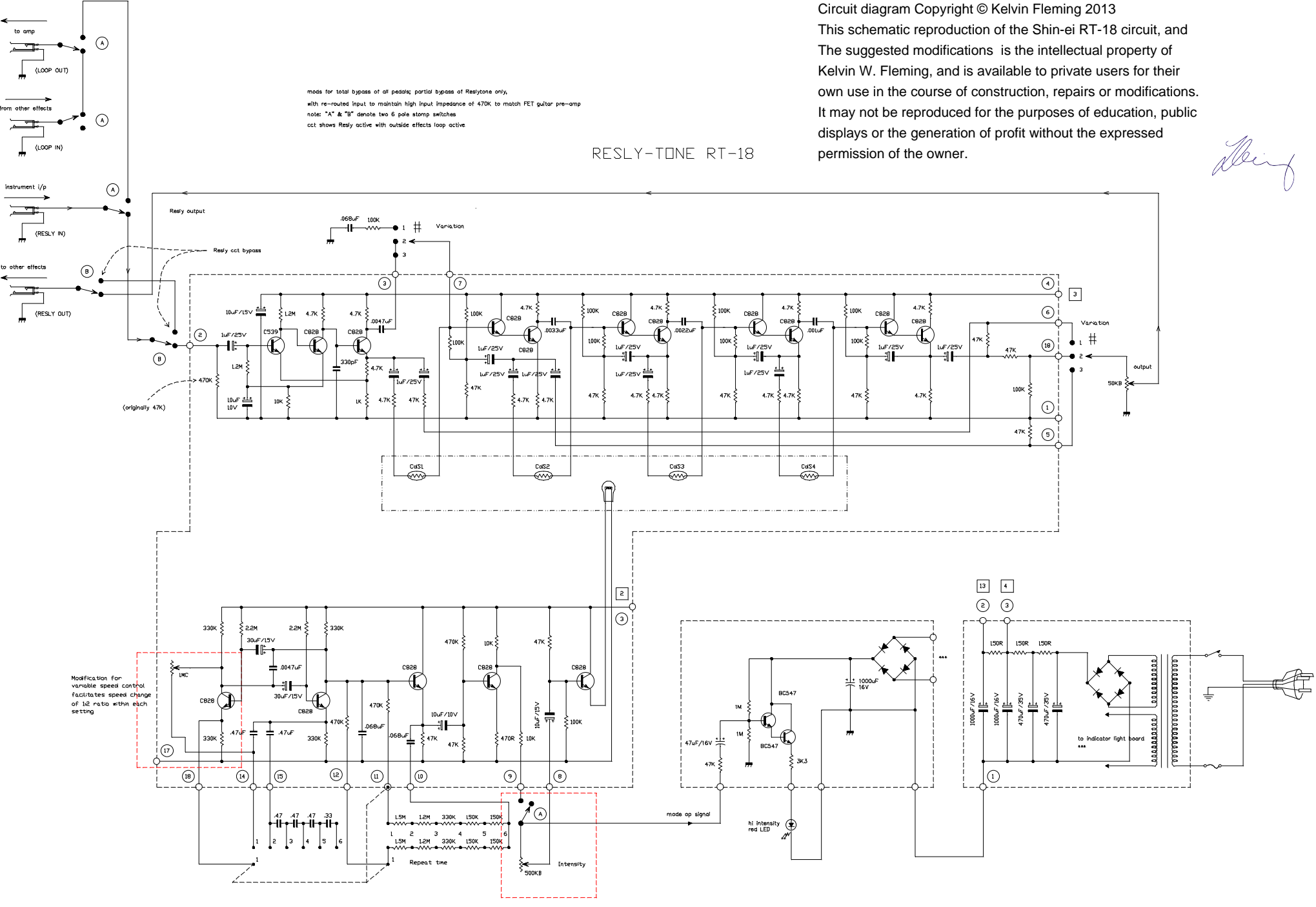


This schematic reproduction of the Shin-ei RT-18 circuit, and The suggested modifications is the intellectual property of Kelvin W. Fleming, and is available to private users for their own use in the course of construction, repairs or modifications. It may not be reproduced for the purposes of education, public displays or the generation of profit without the expressed permission of the owner.

RESLY-TONE RT-18

mods for total bypass of all pedals; partial bypass of Reslytone only, with re-routed input to maintain high input impedance of 470K to match FET guitar pre-amp
note: "A" & "B" denote two pole stomp switches
cct shows Resly active with outside effects loop active



(originally 47K)

Modification for variable speed control facilitates speed change of 1:2 ratio within each setting

