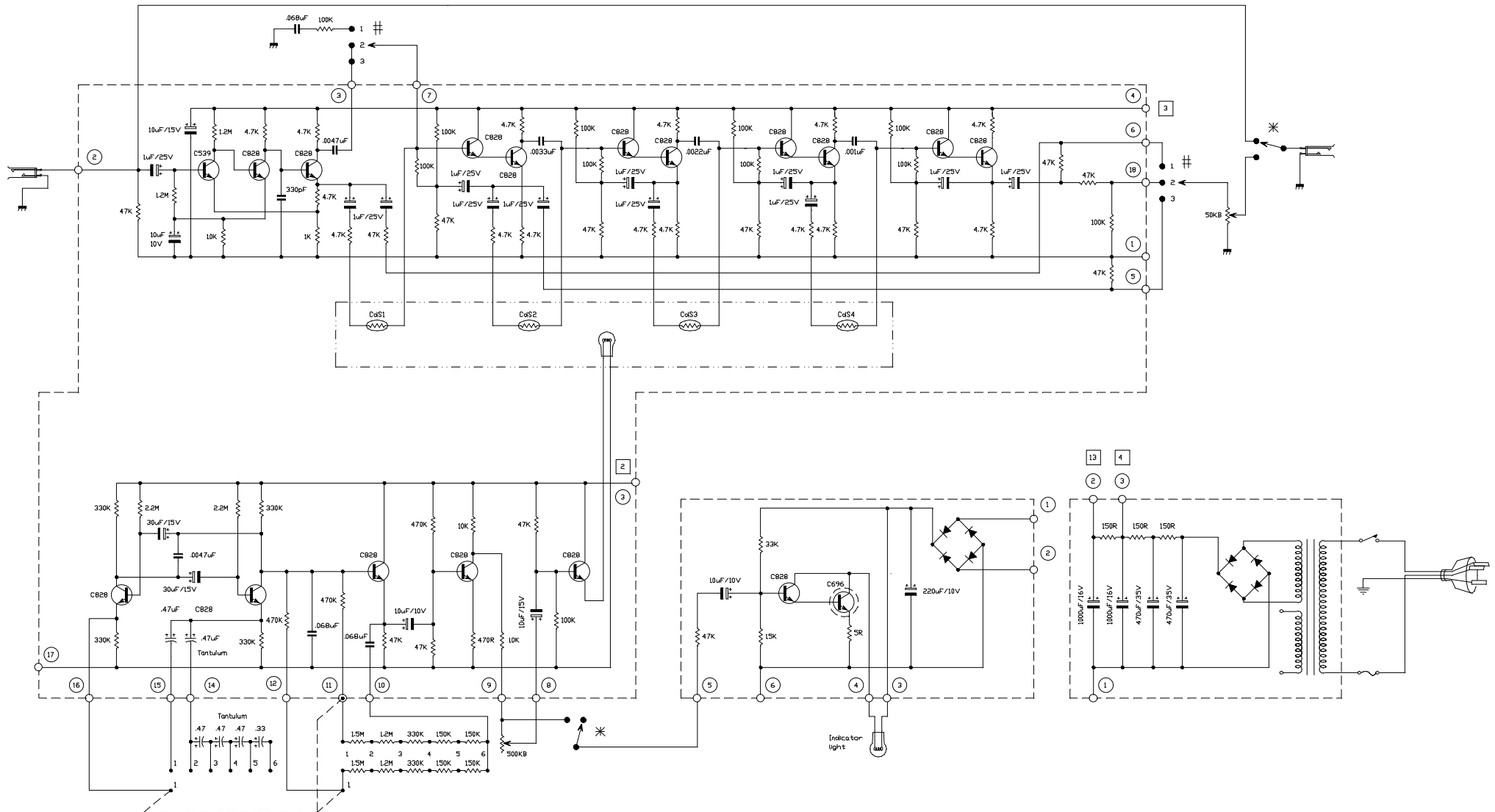


RESLY-TONE RT-18



Circuit diagram Copyright © Kelvin Fleming 2008

This schematic reproduction of the Shin-ei RT-18 circuit is the intellectual property of Kelvin W. Fleming, and is available to private users for their own use in the course of construction, repairs or modifications. It may not be reproduced for the purposes of education, public displays or the generation of profit without the expressed permission of the owner.